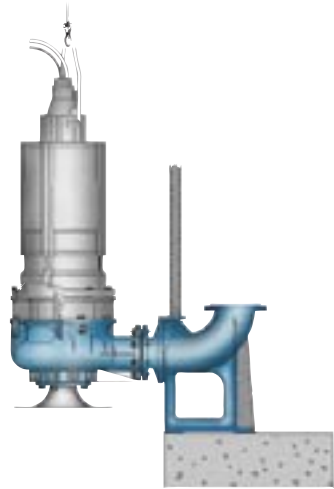
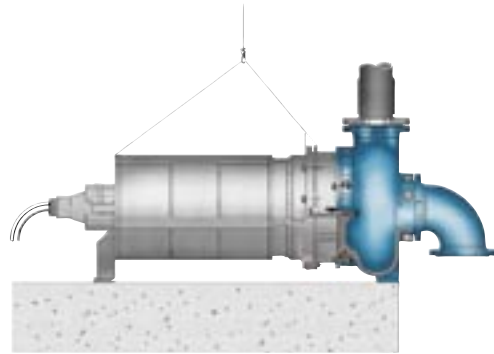


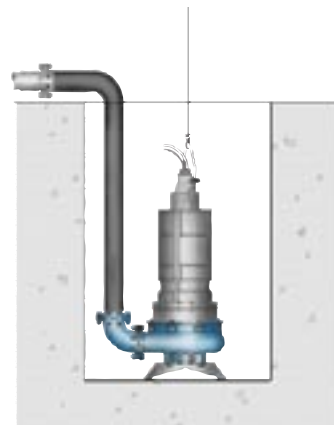
Optional Installations



All WEMCO submersible pumps are available with a Fast-Out discharge assembly to facilitate easy removal and re-installation for maintenance or inspection. Most models are available with a cast discharge elbow/pump stand for installations where removal is not an issue. The pump is bolted directly to the stand/elbow, which is bolted directly to the discharge piping. As an option, WEMCO has available cast discharge fittings in non-sparking and Hi Chrome abrasion resistant materials.



As an option, for very specialized installations, WEMCO can provide a horizontal mounting bracket to facilitate the mounting of a submersible pump into very shallow wet wells. The bracket can be bolted to the pit floor for permanent installations, or the entire assembly can be placed on the wet well floor without permanently attaching the unit, allowing great portability of the unit.



For temporary installations, or for installations requiring great flexibility, or for retrofit installations where the existing discharge piping is inconvenient or inaccessible, WEMCO offers a rugged, heavy duty flexible discharge hose, available for all models of WEMCO submersible pumps. In addition to the discharge hose, the pump would be supplied complete with a rigid pump base, and a pump discharge elbow. For temporary installations, or for installations requiring great flexibility, or for retrofit installations where the existing discharge piping is inconvenient or inaccessible, WEMCO offers a rugged, heavy duty flexible discharge hose, available for all models of WEMCO submersible pumps. In addition to the discharge hose, the pump would be supplied complete with a rigid pump base, and a pump discharge elbow.



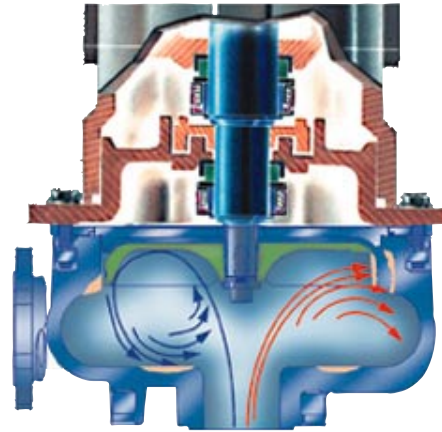
440 W. 800 S. • Salt Lake City • Utah • 84101
voice - 801-359-8731 • Fax - 801-530-7513
email - info@wemcopump.com • web - www.wemcopump.com

© 2002 Wemco Pump, A Weir Specialty Pump Product. All Rights Reserved

Torque-Flow Pumps Recessed Impeller Pumps



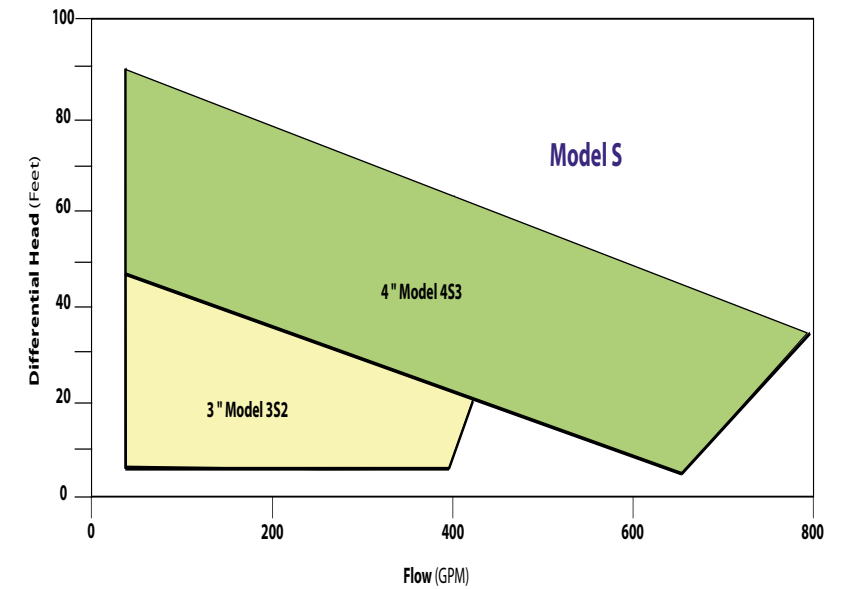
Wemco Torque-Flow submersible pump series are heavy-duty, hard-working pumps which have low life cycle costs and easy to maintain. These solids handling pumps offer high reliability, non-clogging and low maintenance down time.



Performance

Model S

- 25 to 700 gpm
- Heads to 80 ft. TDH
- Up to 40 HP



Model S

- Bottom Suction, Vertical Discharge
- Recessed Impeller
- Cast Iron Construction
- 25 to 700 gpm
- Heads to 80 ft. TDH
- Up to 40 HP

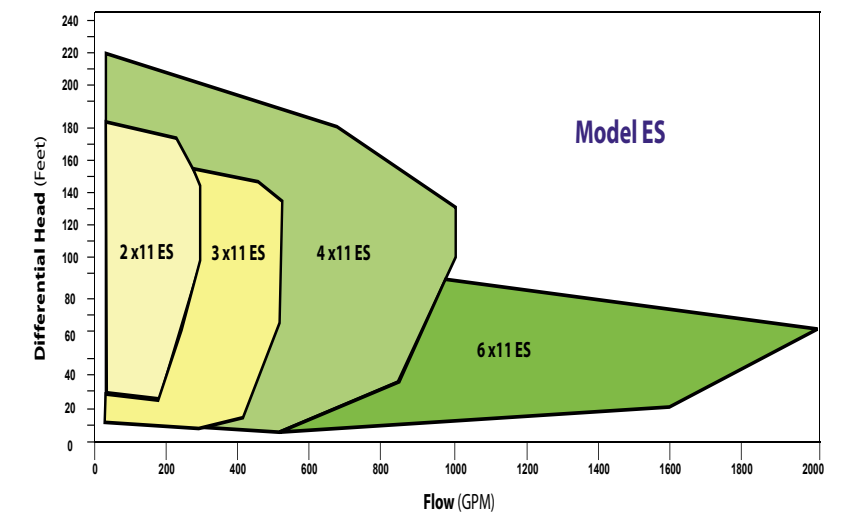
Model ES

- Bottom Suction, Horizontal Discharge
- Recessed Impeller
- Cast Iron or High-Chrome Construction
- 50 to 2000 gpm
- Heads to 200 ft. TDH
- Up to 75 HP
- Available with feet, cast iron discharge elbow or fast-out assembly



Model ES

- 50 to 2000 gpm
- Heads to 200 ft. TDH
- Up to 75 HP



Model CES

- Bottom Suction, Horizontal Discharge
- Cupped, Recessed Impeller
- Ni-Hard or High-Chrome Construction
- 50 to 1400 gpm
- Heads to 100 ft. TDH
- Up to 750 HP
- Available with feet, cast iron discharge elbow or fast-out assembly
- Optional High-Chrome discharge elbow
- Optional Heavy-Duty Slurry Discharge Hose
- Optional Bracket For Horizontal Mounting

Model CES

- 50 to 1400 gpm
- Heads to 100 ft. TDH
- Up to 750 HP

