

WEMCO® Pumps & Systems

10" Pump WSP10A

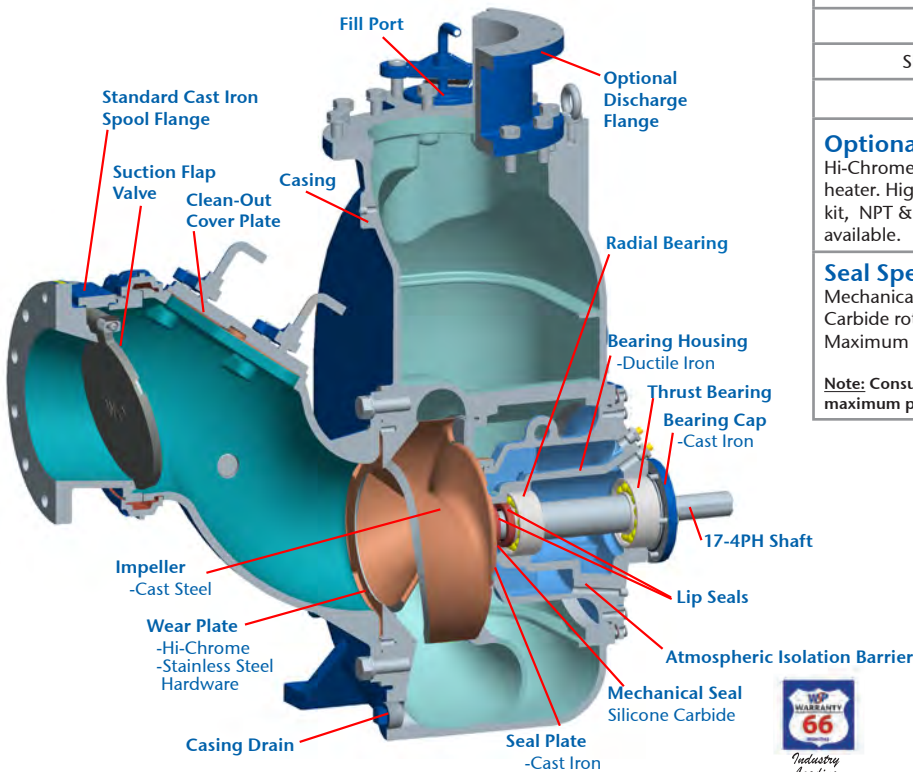
No Tools Required For Clearance Adjustment

Excellent
Engineering
Solutions



Patent Pending

WEMCO® Self-Primer Pump Details



Pump Size	10"x10" • 250 mm x 250 mm ANSI/DIN
Pump Casing	Ductile Iron
Operating Pressure	Maximum 120 psi (797 kPa)
Impeller	Open type, two vane. Material - Cast steel Pumps 3" (76.2 mm) solids
Impeller Shaft	17-4PH SST
Wear Plate, Replaceable	Front: Hi Chrome (minimum 600 Brinnell) Rear: Hardened Steel (minimum 400 brinnell)
Clean-out	Removable - Ductile Iron
Flap Valve	Neoprene with steel reinforcing ring
Bearing Housing	Ductile Iron (wetted) Cast Iron (inner)
Seal Plate	Cast Iron
Shaft Sleeve	17-4PH SST
Radial Bearing	Open single ball
Thrust Bearing	Open double ball
Bearing/Seal Cavity Lubrication	SAE No. 30 oil
Suction Flange	125# Cast Iron ANSI or DIN
Gaskets	Buna-N, compressed synthetic fibers, vegetable fiber, PTFE, cork, and rubber
O-Rings	Buna-N
Hardware	Steel Grade 5/316SST
Pressure Release Valve	Brass
Oil Level Sight Gauges	Bearing and Seal Cavity
Net Weight	1600 lbs./726 KG.
Shipping Weight	1660 lbs./753 KG
Export Crate	53 Ft ³ / 1.5 M ³

Optional Equipment and Materials

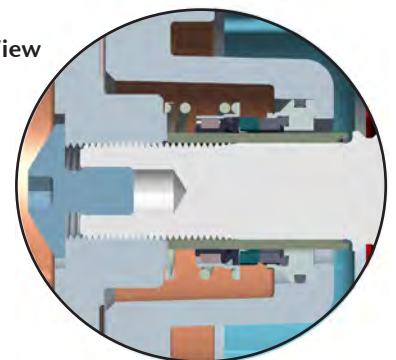
Hi-Chrome, CD4MCU. Automatic air release valve, 120V/240V casing heater. High pump temperature shutdown kit, moisture probe, gauge kit, NPT & DIN standard suction and discharge flanges. Other elastomers available.

Seal Specifications

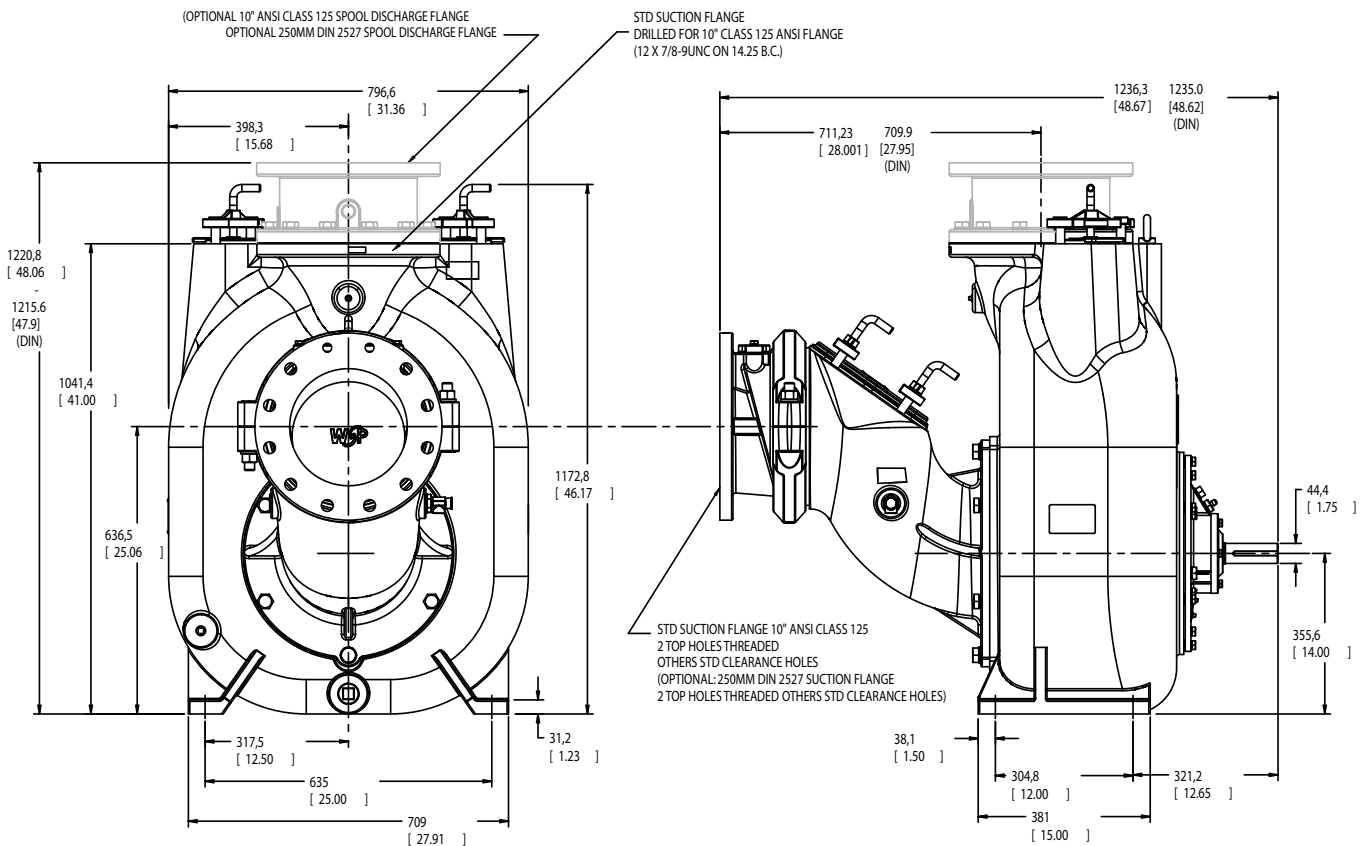
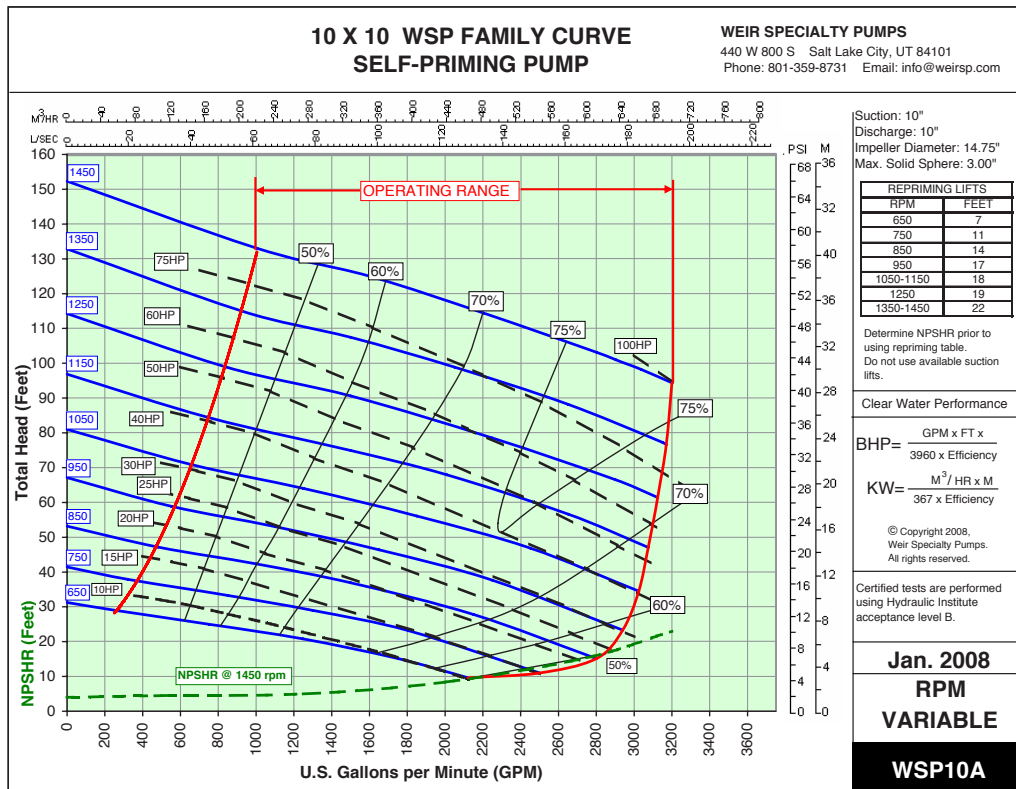
Mechanical oil-lubricated, double floating, self-aligning seal. Silicon Carbide rotation and stationary faces. Stainless steel metal components. Maximum temperature of liquid pumped 180°F/83°C.

Note: Consult factory for applications exceeding maximum pressure and/or temperature indicated.

Seal Detail View



WSP10A • Size: 10"x 10" 250 x 250 mm



Weir Specialty Pumps

440 West 800 South
P.O. Box 209 (84110-0209)
Salt Lake City, UT 84101
USA

Tel: 1 801 359 8731
Fax: 1 801 530 7828
email: info@weirsp.com
www.weirsp.com

© 2012 Weir Specialty Pumps. All Rights reserved. Bulletin: Spec Sheet WSP10A

Excellent
Engineering
Solutions