

PolyBlend® Polymer Feed System M-Lo Series

The PolyBlend® M-Lo Series polymer feed system offers all of the benefits of the best available polymer preparation technology at a new competitive price. The ready-to-install system provides consistent and accurate dosage and improves polymer efficiency.

The PolyBlend® M-Lo System is engineered for easy installation and maintenance. The compact size of the feeder allows trouble-free installation in confined spaces and the open-frame design facilitates easy component access.

The REM-1E controller is included to provide speed control for the neat polymer pump. The easy to read LCD display indicates strokes per minute (SPM) or strokes per hour (SPH). The microprocessor-based controller is housed in a NEMA 4X enclosure.

The PolyBlend® M-Lo Series polymer feed system is available in several models. The versatility of the PolyBlend® M-Lo System provides a choice of wide range of dosage rates. Multiple configurations offer the flexibility for most polymer feed applications.

Specifications

Power	115 VAC / 60 Hz / 1 Phase / 10A
Dimensions (W x H x D)	685.8 x 673.1 x 228.6 mm 27" x 26.5" x 9"
Polymer pump	Electronic Metering
Material	304 SS Frame / PVC
Controls	Microprocessor-based REM-1E
Connections	Water In: 12.7 mm (F) NPT (1/2") Discharge: 19.05 mm (F)NPT (3/4") Polymer: 12.7 mm (F)NPT (1/2")

Key Benefits

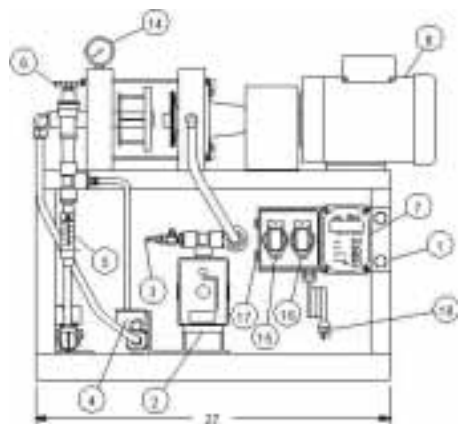
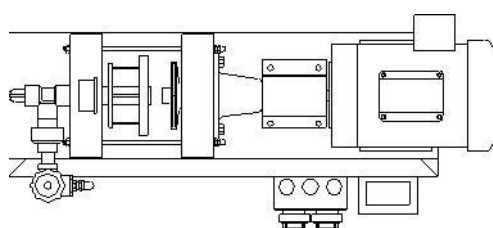
- Improved polymer efficiency
- Easy installation & maintenance
- Rugged & reliable design
- Direct drive mix chamber
- Pump interchangeability
- Simple electronic controls
- Competitive price



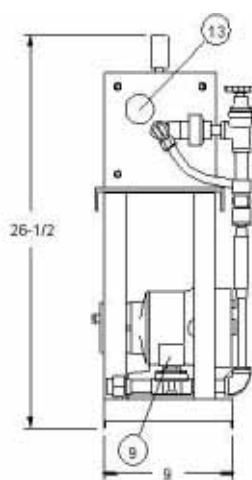
Model Selection

Model	Pump Output		Flowmeter Range		Polymer Connection (F)NPT		Water Connection		Discharge	
	LPH	GPH	LPH	GPH	mm	in	mm	in	mm	in
M20-0.4	1.5	0.4	11.4 - 83.3	3 - 22	12.7	1/2"	12.7	1/2"	19.1	3/4"
M20-1	3.8	1.0	11.4 - 83.3	3 - 22	12.7	1/2"	12.7	1/2"	19.1	3/4"
M60-0.4	1.5	0.4	22.8 - 227.1	6 - 60	12.7	1/2"	12.7	1/2"	19.1	3/4"
M60-1	3.8	1.0	22.8 - 227.1	6 - 60	12.7	1/2"	12.7	1/2"	19.1	3/4"
M120-0.4	1.5	0.4	45.4 - 454.2	12 - 120	12.7	1/2"	12.7	1/2"	19.1	3/4"
M120-1	3.8	1.0	45.4 - 454.2	12 - 120	12.7	1/2"	12.7	1/2"	19.1	3/4"
M120-2.5	9.5	2.5	45.4 - 454.2	12 - 120	12.7	1/2"	12.7	1/2"	19.1	3/4"

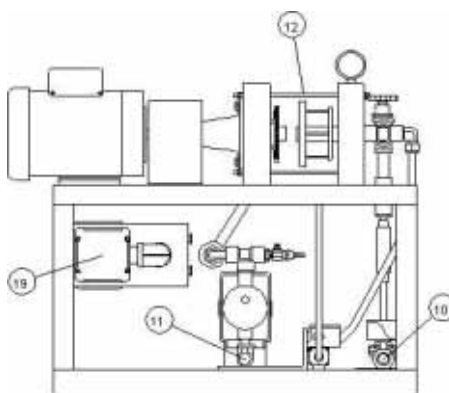
General Layout



FrontView



Left Side View



Rear View

Key Description	
1	Base Assembly
2	Solenoid Valve
3	Priming Port, Pump
4	Differential Pressure Switch
5	Flowmeter
6	Flow Control Valve
7	Digital Display Pump Controller, REM-1E
8	Motor
9	Solenoid Valve
10	Water Inlet
11	Polymer Inlet
12	Mix Chamber Assembly
13	Solution Discharge
14	Pressure Gauge
15	On/Off Main Power Switch
16	Mixer Motor Switch
17	Fuse (Qty 2)
18	Power Cord
19	DP Switch Relay Box