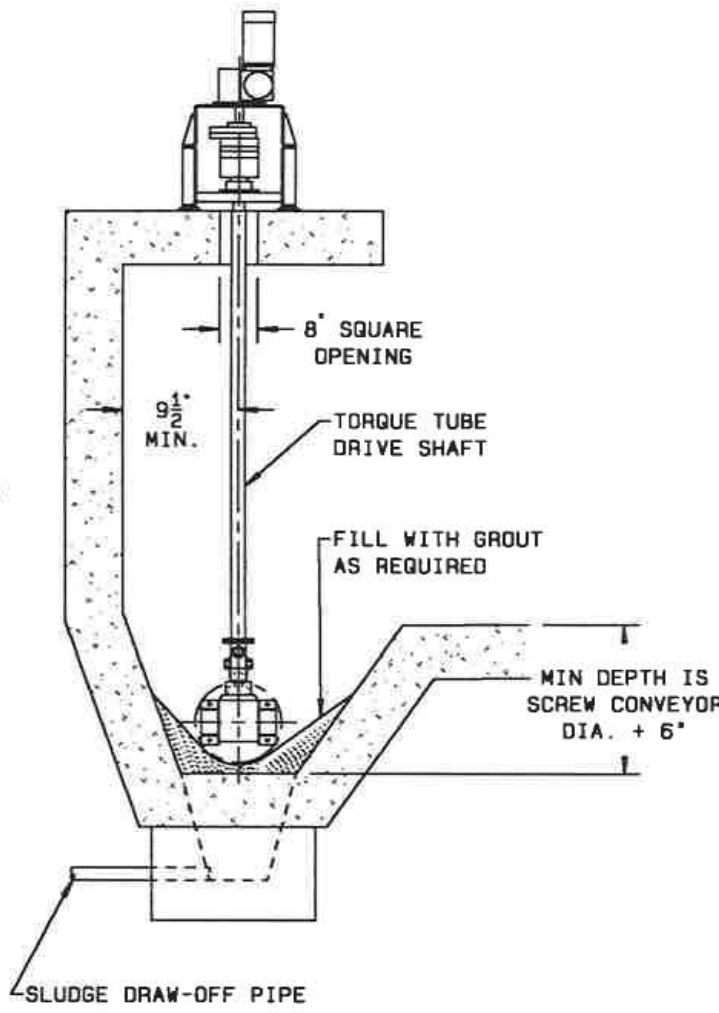
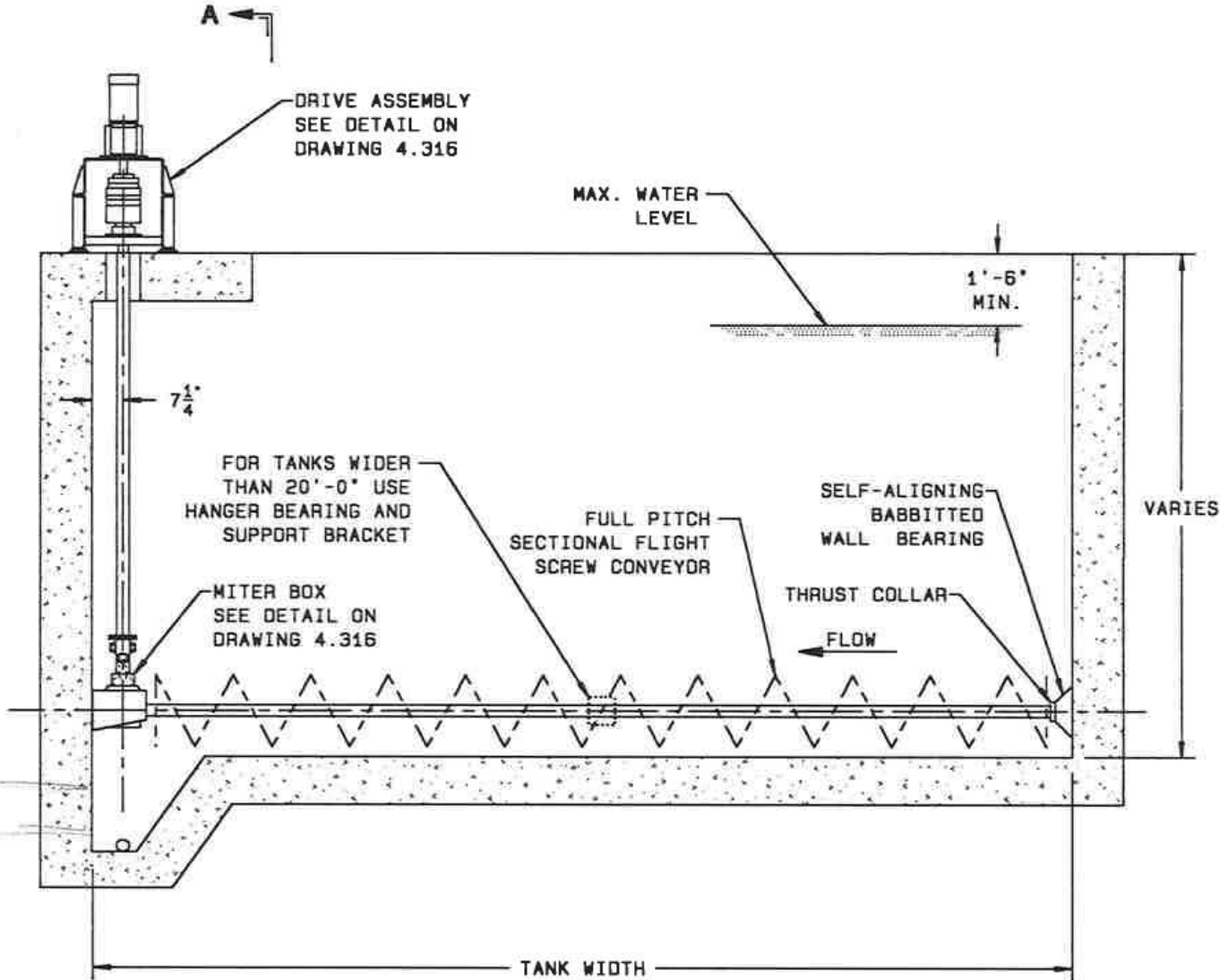


# SCREW CONVEYORS



**SECTION 'A-A'**



# SCREW CONVEYORS

