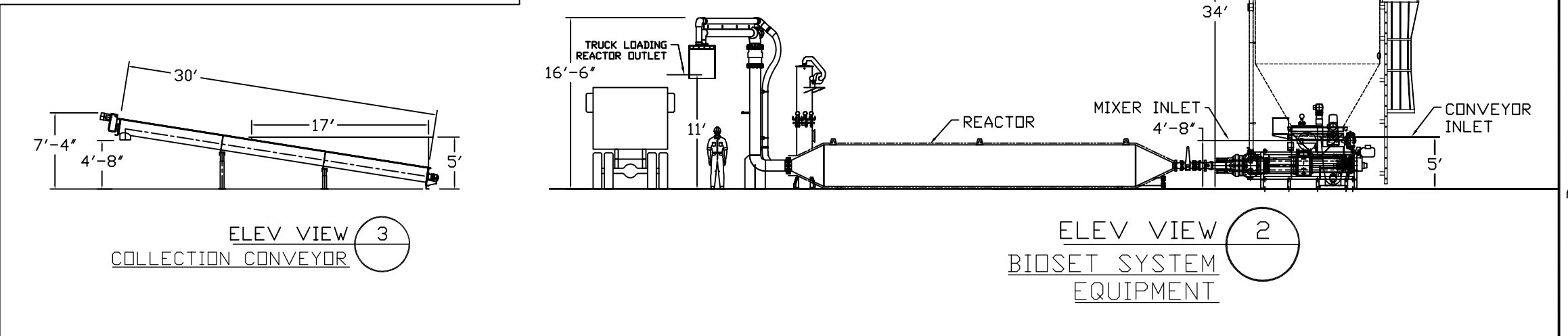
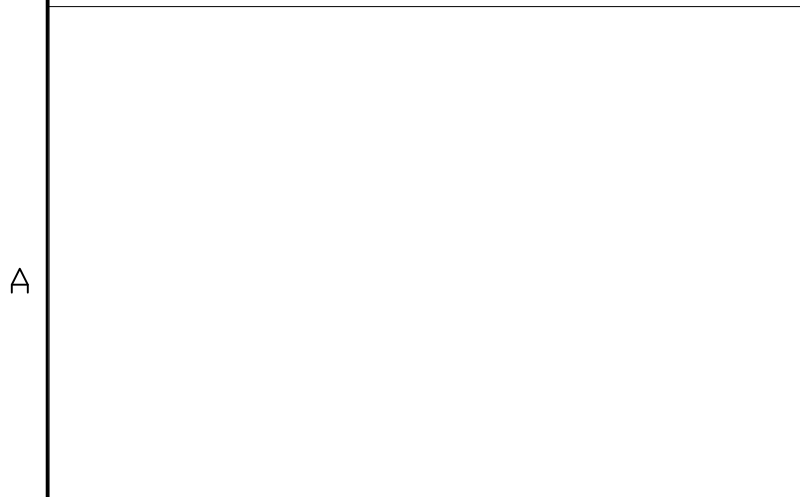
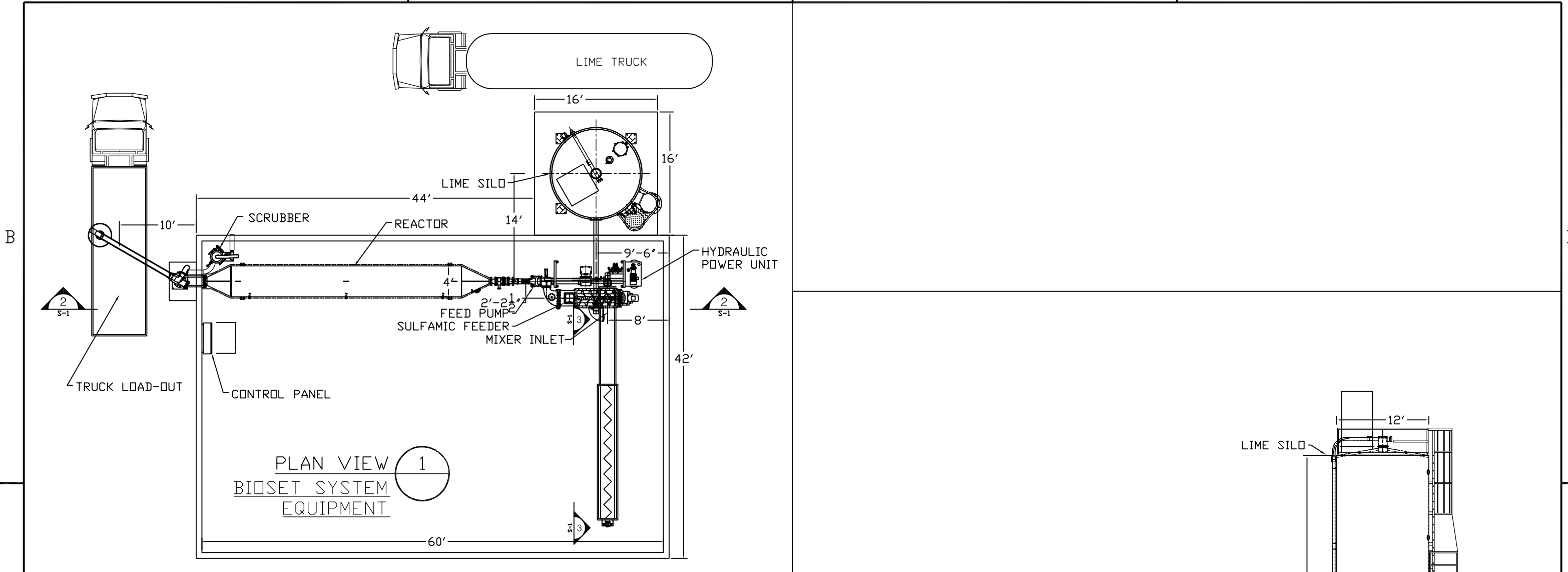


4

3

2

1



50% DESIGN COPY
NOT FOR FABRICATION

DIMENSIONS OF NEW AND EXISTING STRUCTURES
Where the dimensions of new and existing structures are of importance in the installation or connection of any equipment supplied by Schwing Bioset, the Contractor must verify such dimensions and locations and notify Schwing of any required changes to its submittal drawings prior to the fabrication of any material or equipment which is dependent upon the correctness of such information.

Proprietary information:
The data and information contained in this document is considered proprietary and shall not be reproduced, released, or disclosed, in whole or in part, without the prior written consent of Schwing Bioset, Inc. of Somerset Wisconsin.

**SCHWING
BIOSET**

SCHWING BIOSSET INC.
350 SMC DRIVE
SOMERSET, WI 54025

LAYOUT DRAWING
BIOSSET PROCESS EQUIPMENT

DRAWN BY CB	NEW RELEASE	SIZE B	DRAWING NUMBER	REV
CHECKED BY	DATE 9-25-11	SHEET NUMBER 1 OF 1	SB111025	
APPROVED BY	SCALE PLOTTED 1/150			

4

3

2

1